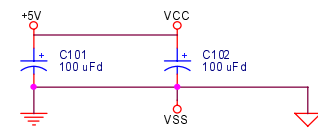
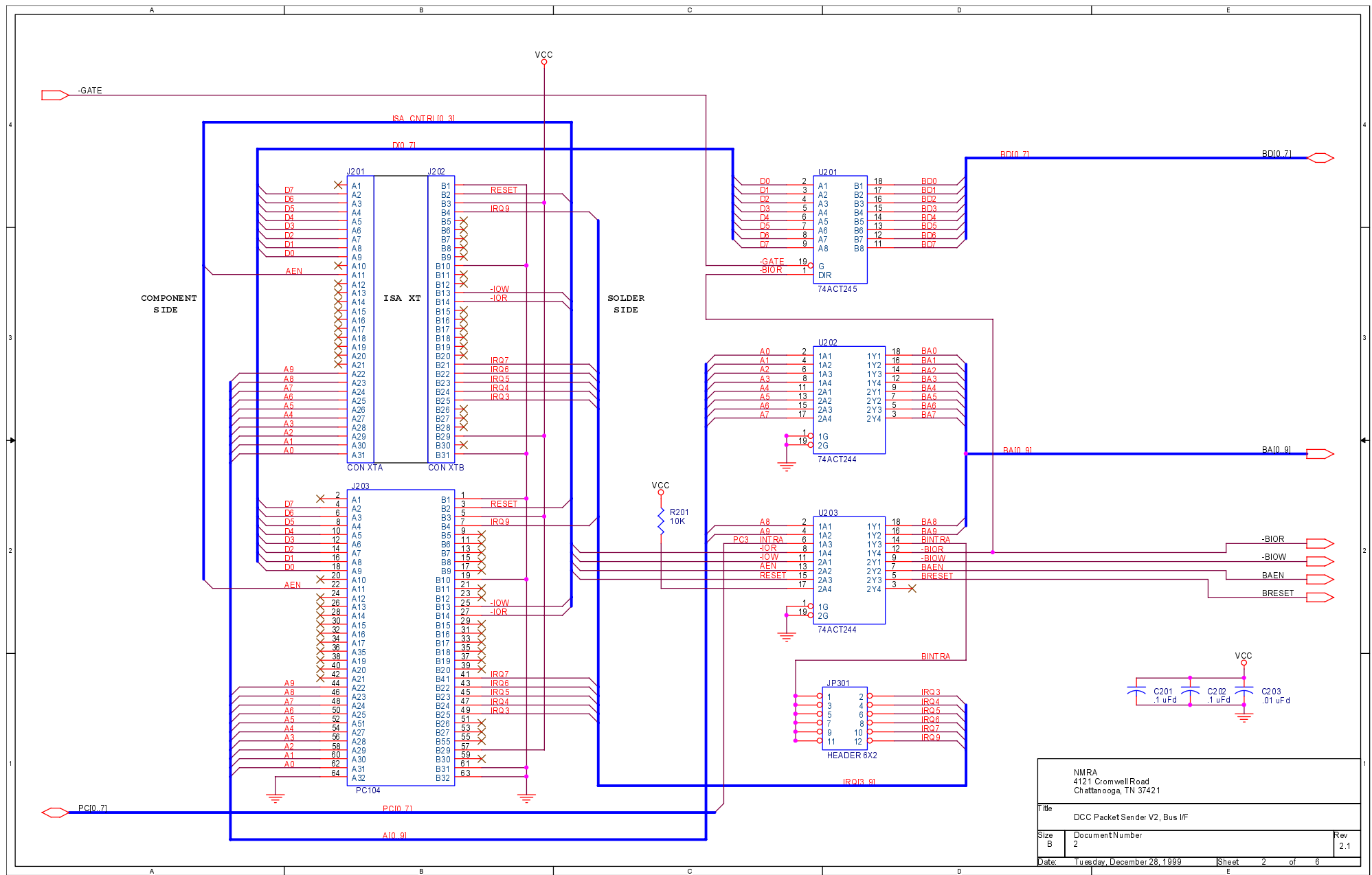


8255 PORTS

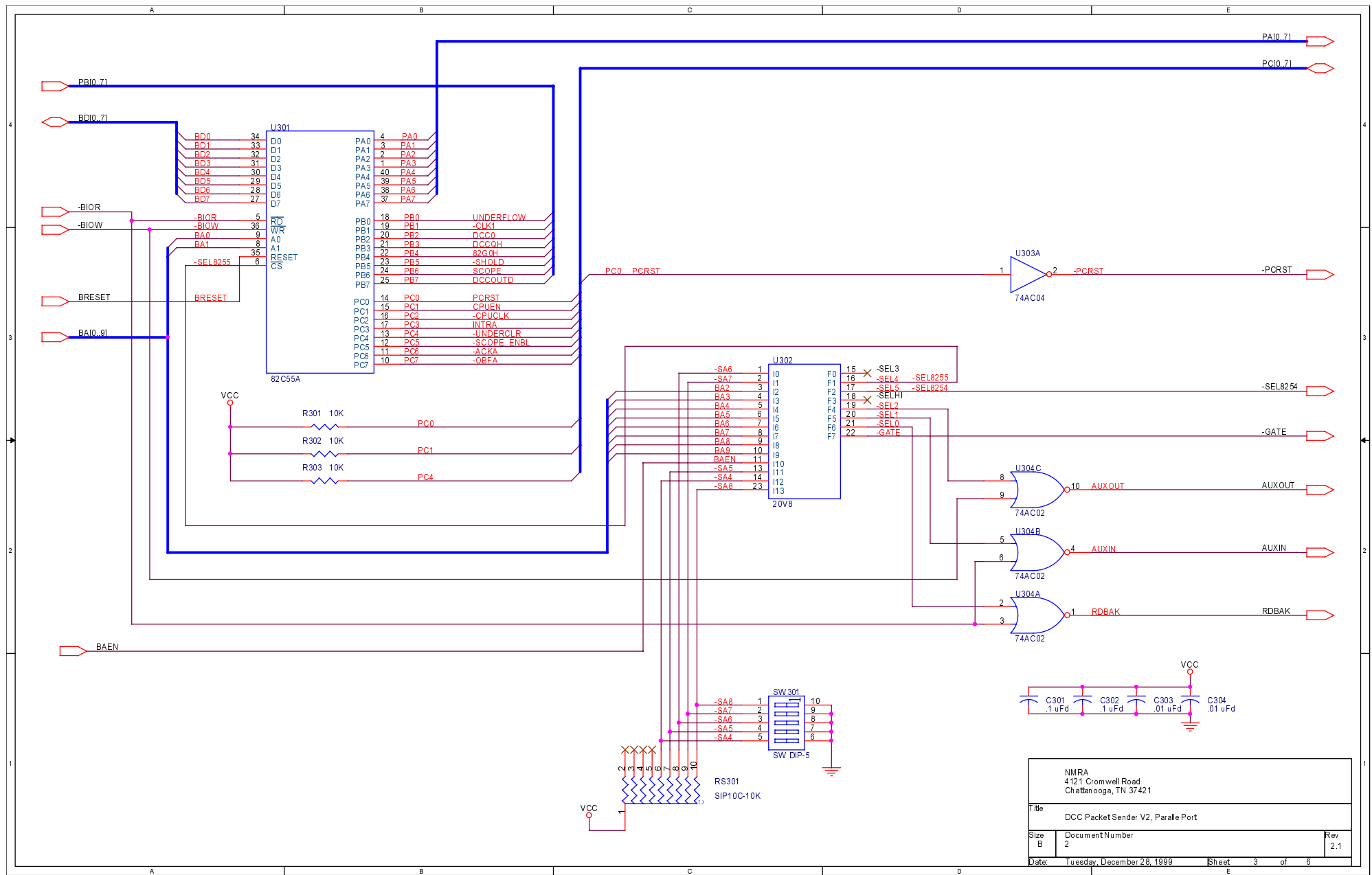
PB0 - UNDERFLOW	PC0 - PCRST
PB1 - -CLK1	PC1 - CPUEN
PB2 - DCC0	PC2 - -CPUCLK
PB3 - DCCQH	PC3 - INPRA
PB4 - 82G0H	PC4 - -UNDERCLR
PB5 - -SELD	PC5 - -SCOPE_BWEL
PB6 - SCOPE	PC6 - -ACKA
PB7 - DCCOUTD	PC7 - -OBSFA



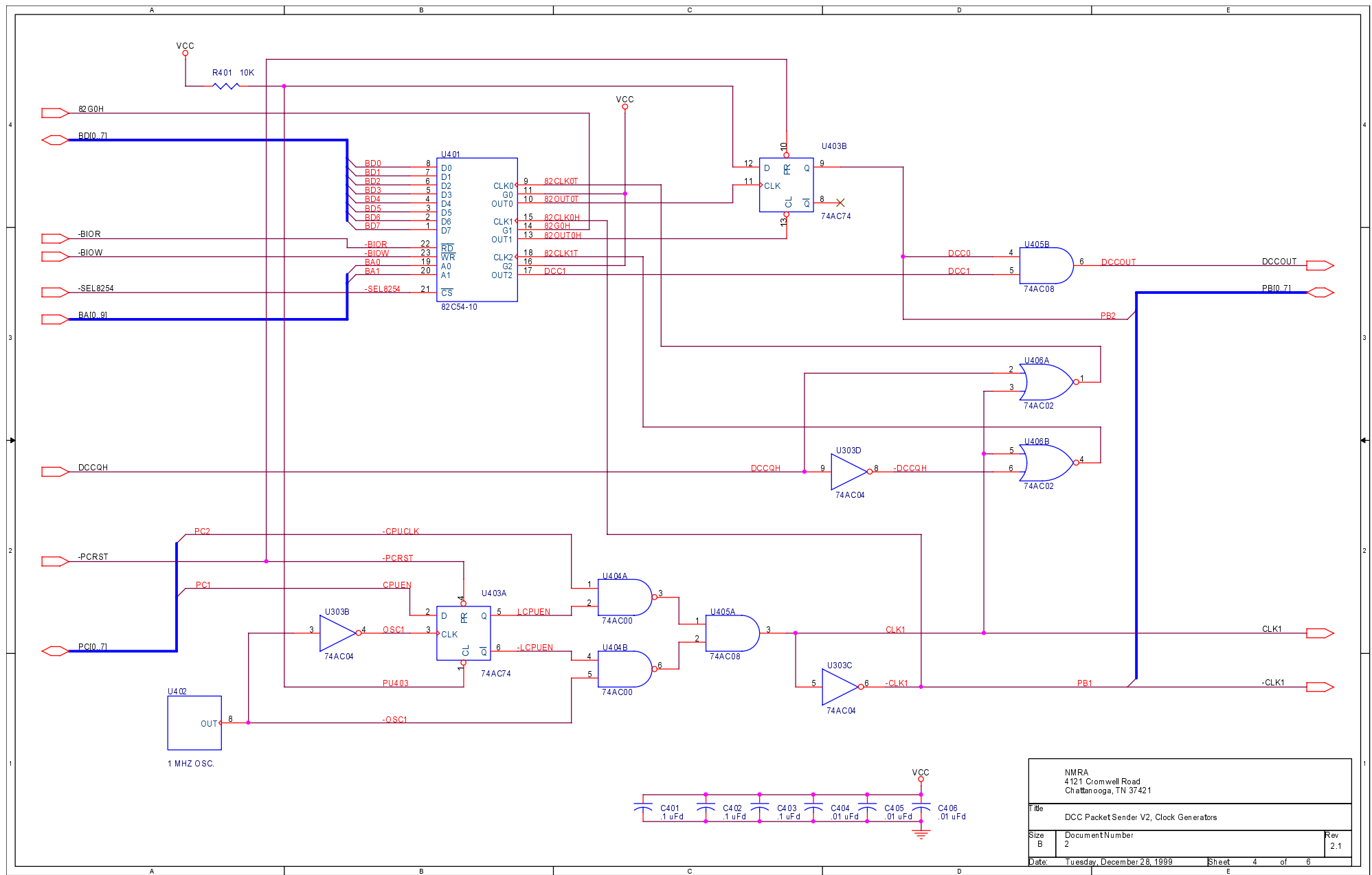
NMRA 4121 Cromwell Road Chattanooga, TN 37421		
File	DCC Packet Sender V2, Block Diagram	
Size	Document Number	Rev
B	2	2.1
Date:	Tuesday, December 28, 1999	Sheet 1 of 6



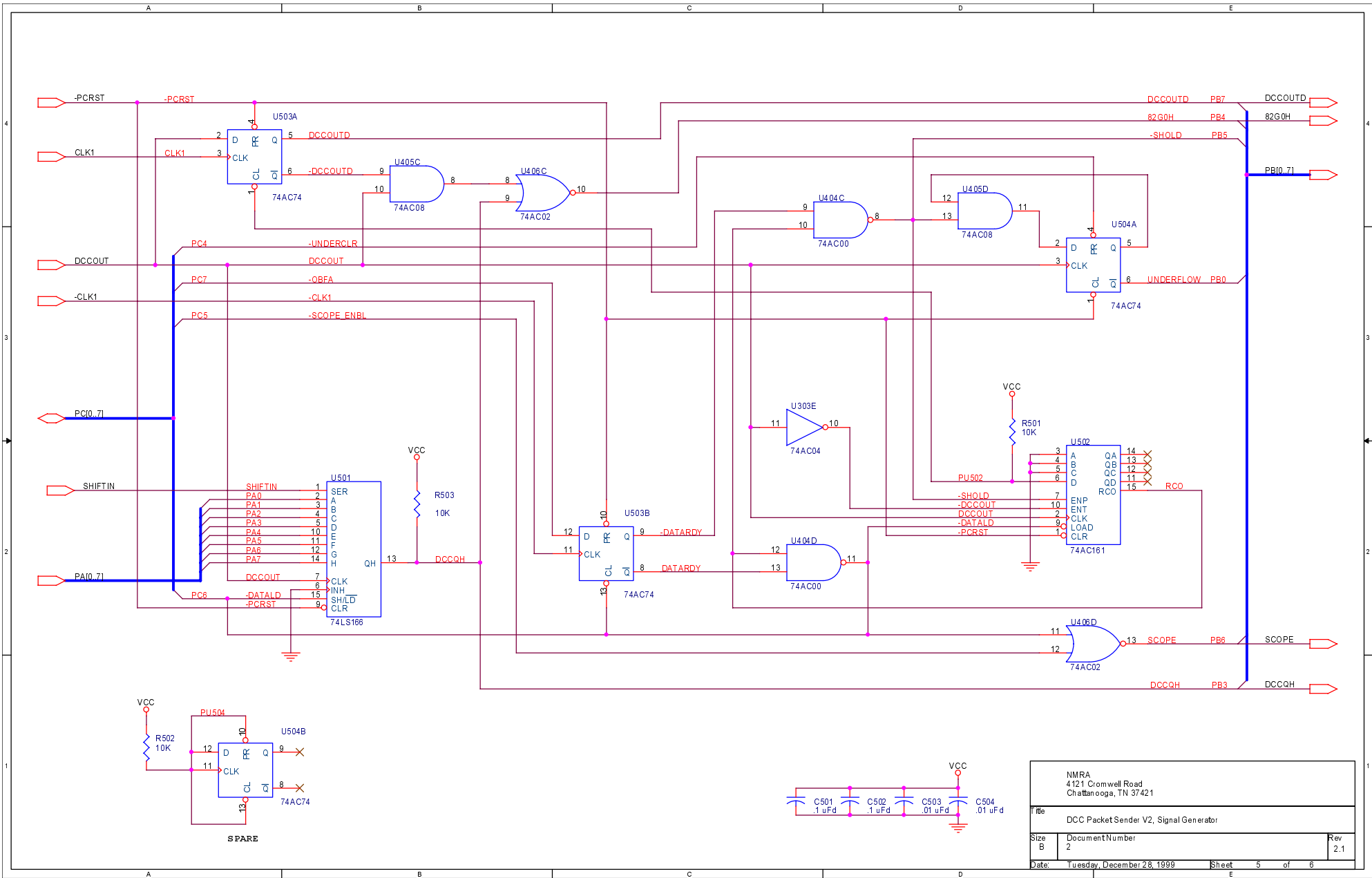
NMRA 4121 Cromwell Road Chattanooga, TN 37421		
File DCC Packet Sender V2, Bus I/F		
Size B 2	Document Number	Rev 2.1
Date Tuesday, December 28, 1999	Sheet 2 of 6	E



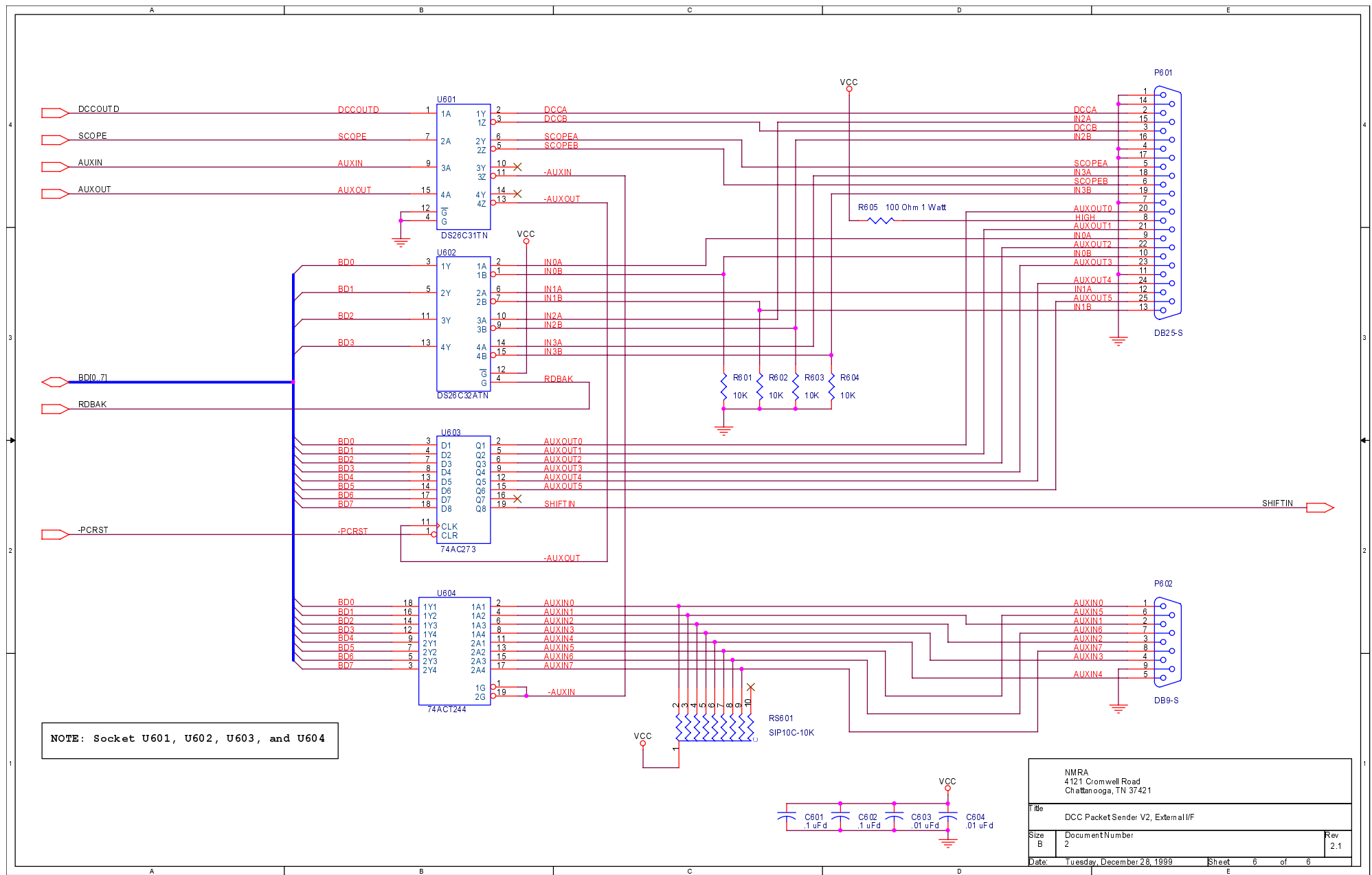
NMRA 4121 Cromwell Road Chattanooga, TN 37421		
Title DCC Packet Sender V2, Paralle Port		
Size B	Document Number 2	Rev 2.1
Date: Tuesday, December 28, 1999	Sheet 3	of 6



NMRA 4121 Cromwell Road Chattanooga, TN 37421	
Title DCC Packet Sender V2, Clock Generators	
Size B	Document Number Rev 2.1
Date Tuesday, December 28, 1999	Sheet 4 of 6



NMRA 4121 Cromwell Road Chattanooga, TN 37421		
Title DCC Packet Sender V2, Signal Generator		
Size B	Document Number 2	Rev 2.1
Date Tuesday, December 28, 1999	Sheet 5 of 6	



NOTE: Socket U601, U602, U603, and U604

NMRA 4121 Cromwell Road Chattanooga, TN 37421		
File	DCC Packet Sender V2, External I/F	
Size	Document Number	Rev
B	2	2.1
Date:	Tuesday, December 28, 1999	Sheet 6 of 6